

Looking for a standard or custom enclosure ?

We've got your covered



WENZHOU JINXIN ELECTRICAL CO.,LTD



About us

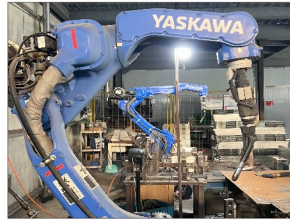
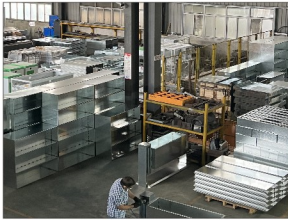
Wenzhou Jinxin Electrical CO., LTD is specialized on supply of different industrial enclosures and all kinds of distribution boxes.

We supply total range of enclosures used in electrical, electronic & telecommunication installations in offices, commercial building, shopping malls, schools, Banks hotels, hospital, Factories, Food manufacturing plants, Airports, Ports, TV & radio stations, Telecom companies etc.

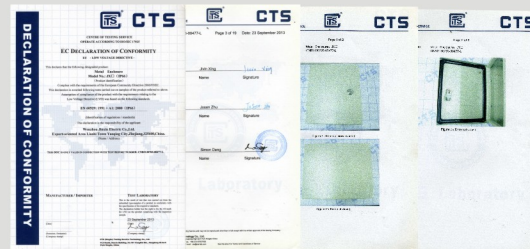
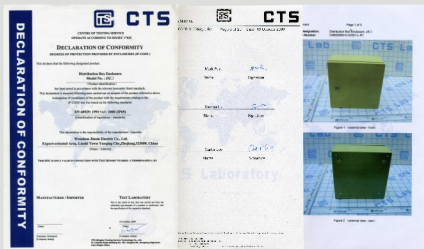
For example, we support IP enclosures to customer in Singapore Changi airport, control panel enclosures in Dubai mall center, floor standing cabinets to elevator factory from US, etc.

Our metal enclosures go through stringent quality control and random inspection by QC staff, the CE approval complying with EN62208/EN60529, passed Rosh test, with IP rated 65 to 66.

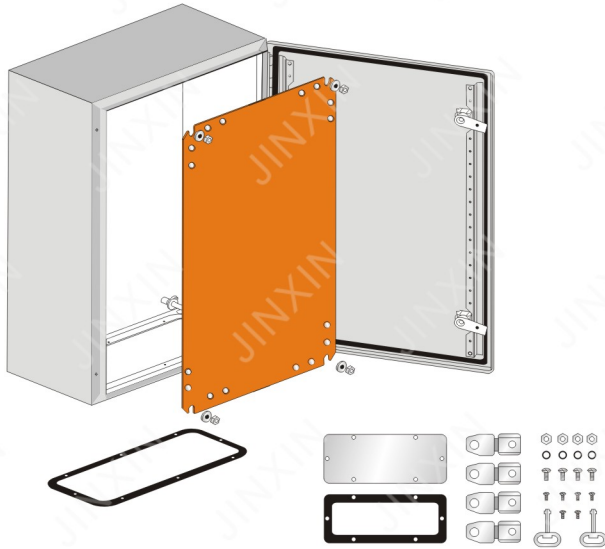
Welcome to inquiry our enclosures; we can supply many other types of enclosures to your order. Our objective is to supply total enclosure requirement under one roof.



CERTIFICATES



JX type wall mount enclosure (IP66)



JX type wall mount enclosure (IP66) is designed to accommodate various types of switchgear and control gear assemblies to suit a variety of electrical installations in commercial and light industrial premises. They are designed for outdoor applications up to IP66.



RoHS  IP66

Supply include:
Enclosure and door, mounting plate, lock system, cable gland plate, sealing gasket and fixing accessories.
Standard configuration

Paint finish epoxy polyester powder coating textured finish
Color: RAL7032, RAL7035, RAL2000, etc.

Protection degree: IP66, IP65/NEMA 4X

Against mechanical impacts: IK 10

Mounting plate: Zinc-coated steel or RAL2000 orange color

Advantages:

- Option to change the opening direction
- The anti-corrosion coating prevents from rust forming
- Supplied with metal plate for fixing the electrical devices
- Locking mechanism which prevents from free access to the electrical materials mounted in the board



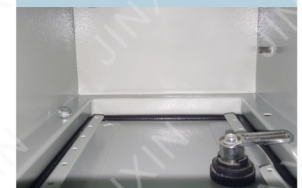
Polyurethane foamed gasket ensuring full watertightness (IP66)



Door reinforcement frame available upon request.

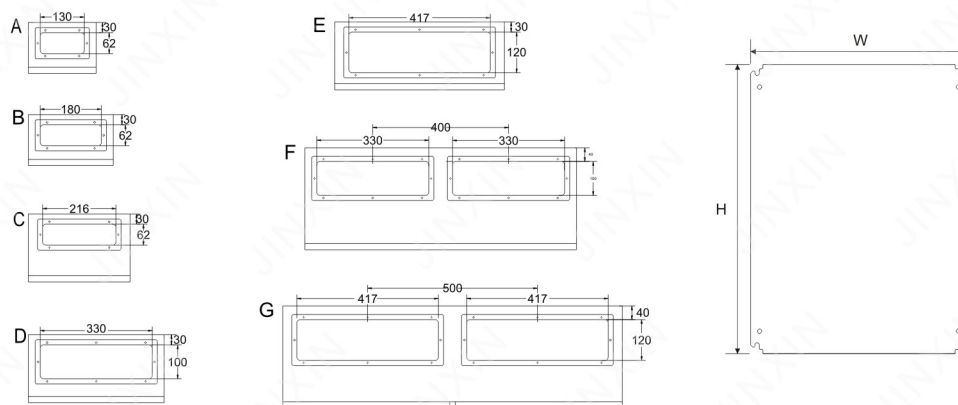


Earthing between body and door by means of M6x15 welded studs. Screwed hinges easily removable allowing changing of door opening direction.



Internal view

JX type wall mount enclosure (IP66)



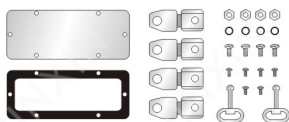
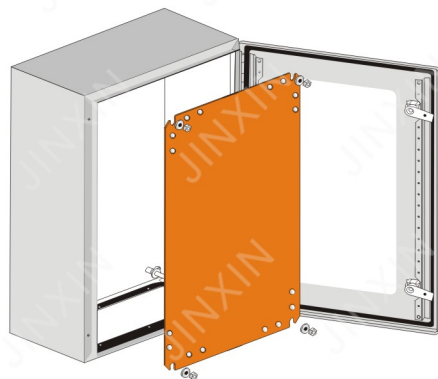
Selection Table

CAT.NO.	H	W	D	No.of lock	Gland open	M.P size
JX2-215	200	200	150	1	A	150x150
JX2-2515	250	200	150	1	A	200x150
JX2-315	300	200	150	1	A	250x150
JX2-320	300	200	200	1	A	250x150
JX25-315	300	250	150	1	B	250x200
JX25-320	300	250	200	1	B	250x200
JX25-325	300	250	250	1	B	250x200
JX3-315	300	300	150	1	B	250x250
JX3-320	300	300	200	1	B	250x250
JX3-325	400	300	250	1	C	350x250
JX3-415	400	300	150	1	C	350x250
JX3-420	400	300	200	1	C	350x250
JX3-425	400	300	250	1	C	350x250
JX3-430	400	300	300	1	C	350x250
JX4-415	400	400	150	1	C	350x350
JX4-420	400	400	200	1	C	350x350
JX4-425	400	400	250	1	C	350x350
JX4-430	400	400	300	1	C	350x350
JX3-515	500	300	150	1	C	450x250
JX3-520	500	300	200	1	C	450x250
JX3-525	500	300	250	1	C	450x250
JX3-530	500	300	300	1	C	450x250
JX4-515	500	400	150	1	C	450x350
JX4-520	500	400	200	1	D	450x350
JX4-525	500	400	250	1	D	450x350
JX4-530	500	400	300	1	D	450x350
JX5-520	500	500	200	1	D	450x450
JX5-525	500	500	250	1	D	450x450
JX5-530	500	500	300	1	D	450x450
JX4-615	600	400	150	2	C	550x350
JX4-620	600	400	200	2	D	550x350
JX4-625	600	400	250	2	D	550x350
JX4-630	600	400	300	2	D	550x350
JX5-620	600	500	200	2	C	550x450
JX5-625	600	500	250	2	D/E	550x450
JX5-630	600	500	300	2	D/E	550x450
JX6-615	600	600	150	2	C	550x550
JX6-620	600	600	200	2	D	550x550
JX6-625	600	600	250	2	D/E	550x550

CAT.NO.	H	W	D	No.of lock	Gland open	M.P size
JX4-730	700	400	300	2	D	650x350
JX5-715	700	500	150	2	C	650x450
JX5-720	700	500	200	2	D	650x450
JX5-725	700	500	250	2	E	650x450
JX5-730	700	500	300	2	E	650x450
JX6-720	700	600	200	2	D	650x550
JX6-725	700	600	250	2	E	650x550
JX6-730	700	600	300	2	E	650x550
JX6-820	800	600	200	2	D	750x550
JX6-825	800	600	250	2	E	750x550
JX6-830	800	600	300	2	E	750x550
JX8-820	800	800	200	2	D	750x750
JX8-825	800	800	250	2	E	750x750
JX8-830	800	800	300	2	E	750x750
JX6-1020	1000	600	200	2	D	950x550
JX6-1025	1000	600	250	2	E	950x550
JX6-1030	1000	600	300	2	E	950x550
JX7-1020	1000	700	200	2	D	950x650
JX8-1020	1000	800	200	2	D	950x750
JX8-1025	1000	800	250	2	F	950x750
JX8-1030	1000	800	300	2	F	950x750
JX10-1025	1000	1000	250	3	G	950x950
JX10-1030	1000	1000	300	3	G	950x950
JX6-1220	1200	600	200	2	D	1150x550
JX6-1225	1200	600	250	2	E	1150x550
JX6-1230	1200	600	300	2	E	1150x550
JX8-1220	1200	800	200	2	E	1150x750
JX8-1225	1200	800	250	2	E	1150x750
JX8-1230	1200	800	300	2	E	1150x750
JX10-1225	1200	1000	250	3	G	1150x950
JX10-1230	1200	1000	300	3	G	1150x950
JX12-1225	1200	1200	250	3	G	1150x1150
JX12-1230	1200	1200	300	3	G	1150x1150

More size can be request by customized

JX type wall mount enclosure (IP66)

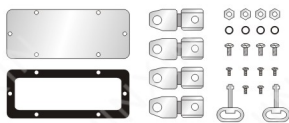
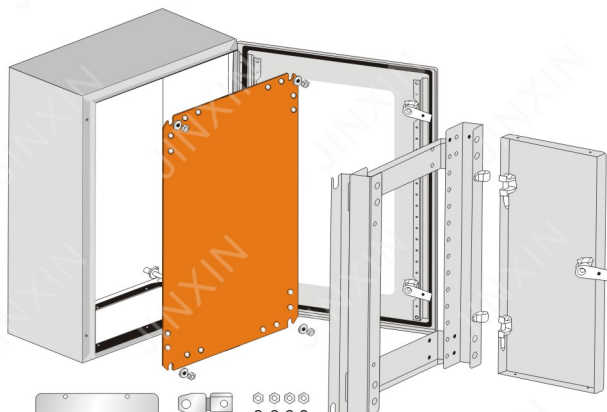


JXP-plexiglass



JXP Supply include:

Enclosure and door (Plexiglass door), mounting plate, lock system, cable gland plate, sealing gasket and fixing accessories.



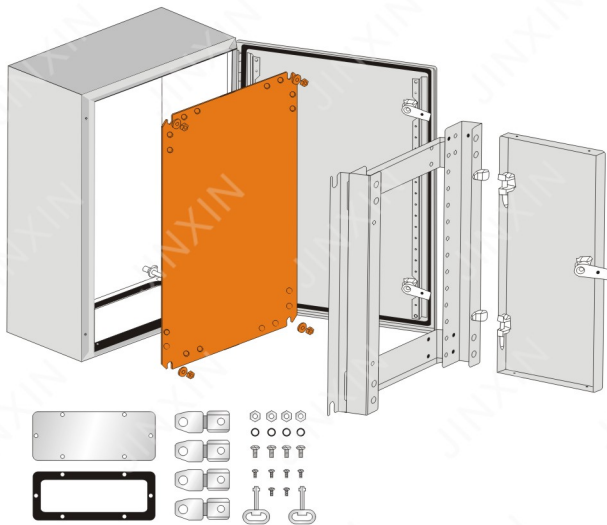
JXIP-plexiglass-inner door



JXIP Supply include:

Enclosure and door (Plexiglass , Inner door), mounting plate, lock system, cable gland plate, sealing gasket and fixing accessories.

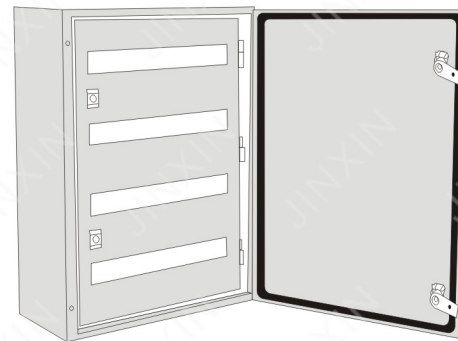
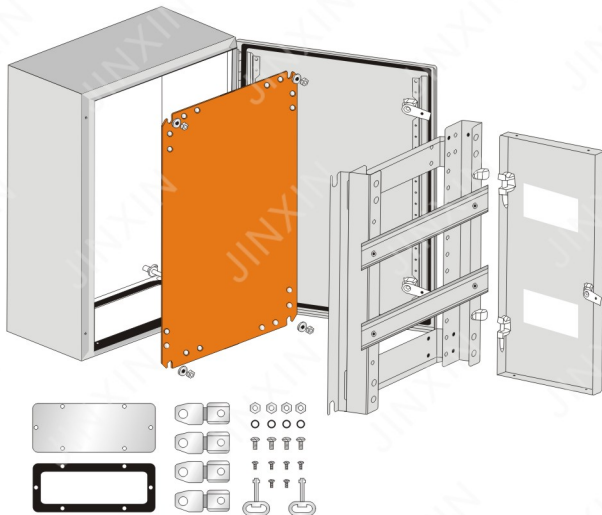
JX type wall mount enclosure (IP66)



JX inner door design wall mount enclosure

Supply include:

Enclosure and door (Inner door),
mounting plate, lock system, cable gland plate, sealing gasket
and fixing accessories.

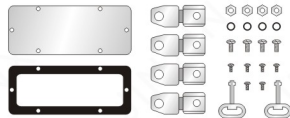
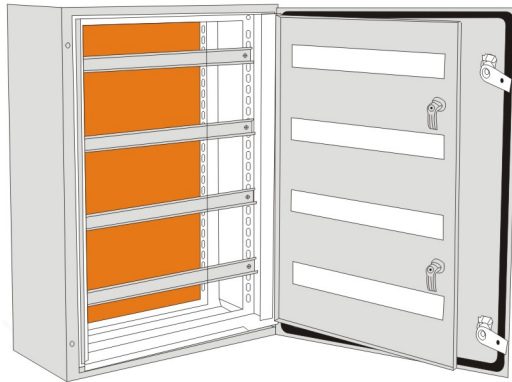


JX inner door chassis design wall mount enclosure

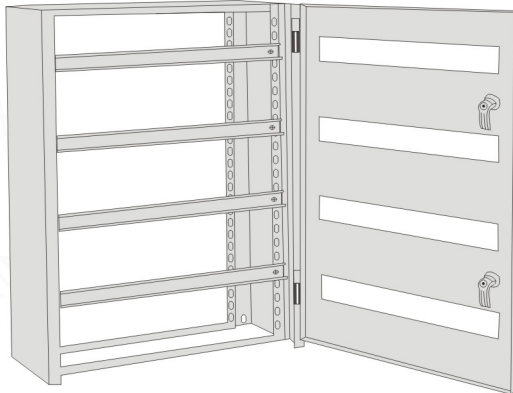
Supply include:

Enclosure and door ,chassis
mounting plate, lock system, cable gland plate, sealing gasket
and fixing accessories.

JX type wall mount enclosure (IP66)



JXREMOVEABLE-Chassis Supply include:
Enclosure and door (Removeable-chassis),
mounting plate, lock system, cable gland plate, sealing gasket
and fixing accessories.

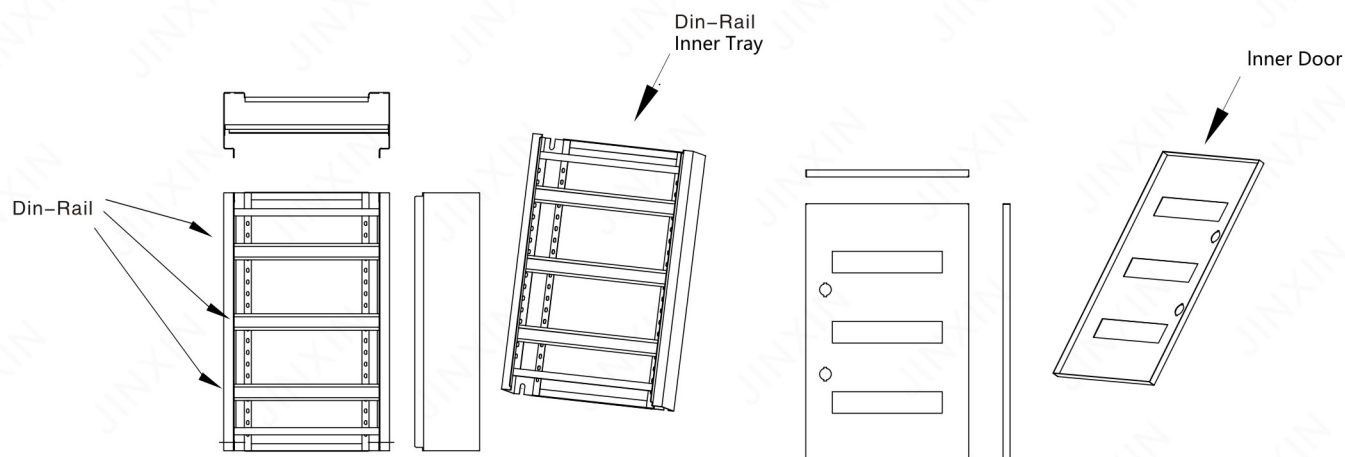


REMOVEABLE-Chassis



REMOVEABLE-Chassis

JX type wall mount enclosure (IP66)



The JX removable-chassis is used to install in the JX enclosure for circuitbreakers inside. The chassis cover is 40mm-85mm big, made of sheet steel in 1.2mm thick, by using the standard 35mm DIN rails inside to adjust the distance.

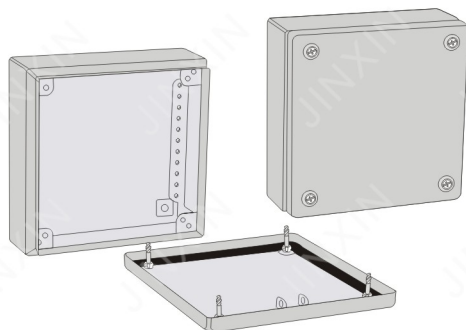
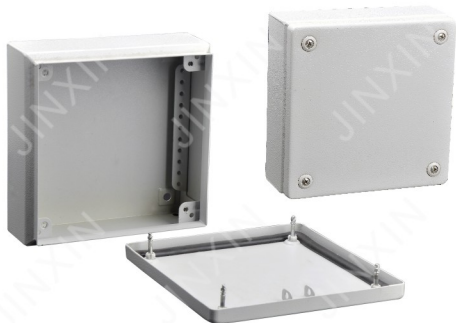
Epoxy thermosetting powder coating textured finish, color in RAL 7032 & RAL 7035.

Selection Table

Model	H × W × D	No. of lock	NO. of breaks
JX-chassis: 3-420	400x300x200	1	2row*10P
JX-chassis: 4-520	500x400x200	1	3row*15P
JX-chassis: 4-620	600x400x200	2	3row*15P
JX-chassis: 5-720	700x500x200	2	4row*21P
JX-chassis: 5-725	700x500x250	2	4row*21P
JX-chassis: 6-820	800x600x200	2	4row*26P
JX-chassis: 6-825	800x600x250	2	4row*26P
JX-chassis: 6-830	800x600x300	2	4row*26P
JX-chassis: 6-1025	1000x600x250	2	6row*26P
JX-chassis: 6-1030	1000x600x300	2	6row*26P
JX-chassis: 8-1030	1000x800x300	3	6row*38P
JX-chassis: 8-1230	1200x800x300	3	6row*38P

More size can be request by customized

JX type terminal boxes/ junction boxes



JXKL type terminal boxes/ junction boxes are meeting all requirements resulting from demanding environmental conditions in trade and industry applications.

IP65 ingress protection shields these enclosures from dust and water. Cable clamps, terminal blocks, and other connections inside the terminal boxes are reliably protected by the PU door gasket.

Supply include: Enclosure& cover (sheet steel 1.2mm), sealing gasket and fixing accessories.

Paint finish epoxy polyester powder coating textured finish

Color: RAL7032 / RAL7035

Protection degree: IP66

Impact resistance: IK 10

Galvanized mounting plate to be support separately.

Selection Table

CAT.NO.	W	H	D
JXKL15158	150	150	80
JXKL151512	150	150	120
JXKL201512	200	150	120
JXKL20208	200	200	80
JXKL30158	300	150	80
JXKL301512	300	150	120
JXKL30208	300	200	80
JXKL302012	300	200	120
JXKL401512	400	150	120
JXKL40208	400	200	80
JXKL403012	400	300	120
JXKL404012	400	400	120
JXKL502012	500	200	120
JXKL503012	500	300	120
JXKL602012	600	200	120
JXKL603012	600	300	120
JXKL802012	800	200	120
JXKL804012	800	400	120

More size can be request by customized

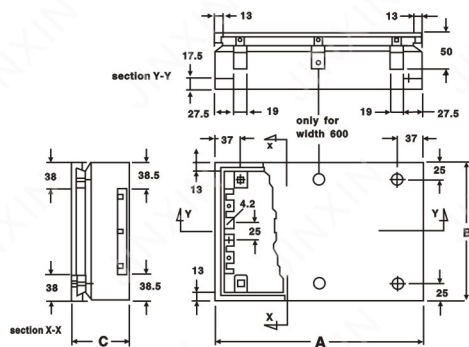
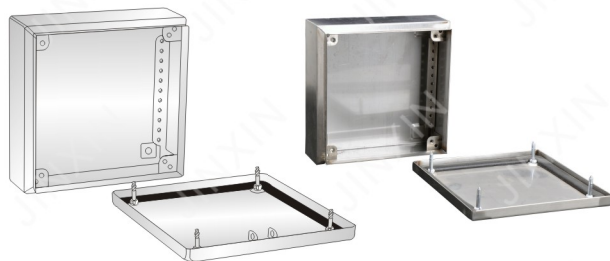
JX type terminal boxes/ junction boxes



Brackets



Mounting plate for JXKLS



JXKLS type terminal boxes/ junction boxes are meeting all requirements resulting from demanding environmental conditions in trade and industry applications.

IP66 ingress protection shields these enclosures from dust and water. Cable clamps, terminal blocks, and other connections inside the terminal boxes are reliably protected by the PU door gasket.

Supply include: Enclosure& cover, sealing gasket and fixing accessories.

Protection degree: IP66

Galvanized mounting plate to be support separately.

Material as option: 304 / 316 stainless steel

Selection Table

CAT.NO.	W	H	D
JXKLS15158	150	150	80
JXKLS151512	150	150	120
JXKLS201512	200	150	120
JXKLS20208	200	200	80
JXKLS30158	300	150	80
JXKLS301512	300	150	120
JXKLS30208	300	200	80
JXKLS302012	300	200	120
JXKLS401512	400	150	120
JXKLS40208	400	200	80
JXKLS403012	400	300	120
JXKLS404012	400	400	120
JXKLS502012	500	200	120
JXKLS503012	500	300	120
JXKLS602012	600	200	120
JXKLS603012	600	300	120
JXKLS802012	800	200	120
JXKLS804012	800	400	120

More size can be request by customized

JX type stainless steel wall mount enclosure



JXSS type stainless steel wall mount enclosure are designed for using in aggressive environments or hygienically sensitive locations, like in food and beverage industries and chemical industry, also, it's widely used in coastal city.

Supply include:

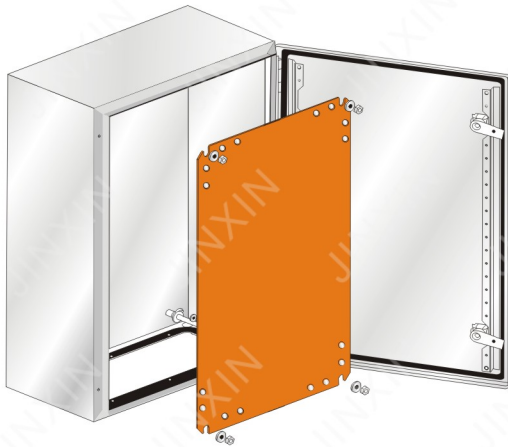
Enclosure and door, mounting plate, lock system, cable gland plate, sealing gasket and fixing accessories.

The Wall mount bracket 4pcs/set to be offered separately, hinge in stainless steel.

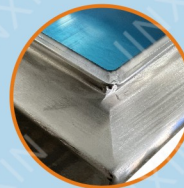
Protection degree: IP66, IP65/NEMA 4X

Impact resistance IK 10

Mounting plate: Zinc-coated steel or RAL2000 orange color



Back with 4 welded studs for fixing of mounting plate and depth adjustable supports. 4 drillings for direct wall fixing or through brackets.



Corner polishing

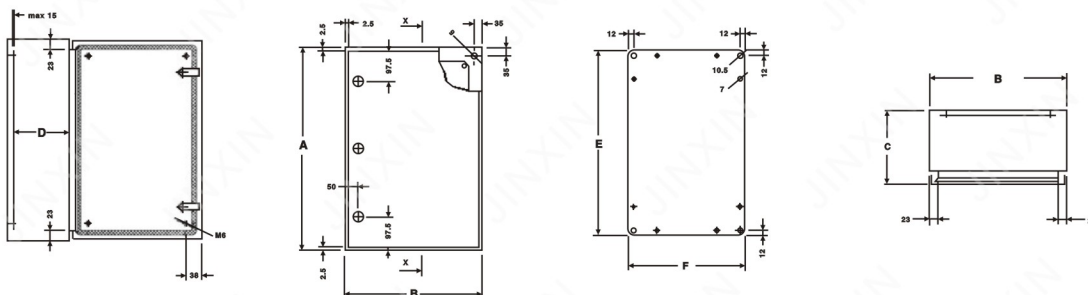


Polyurethane foamed gasket ensuring full watertightness (IP 65).



Earthing between body and door through welded studs, total safety of use.

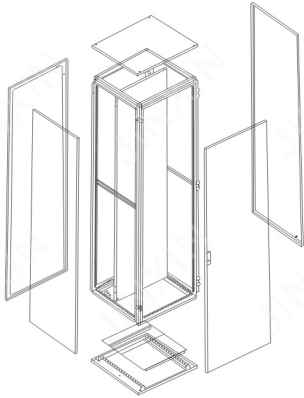
JX type stainless steel wall mount enclosure



AVAILABLE SIZES

Part Number	Enclosure Dimensions (w x h x d)	Mounting Plate Dimensions (w x h x d)	A	B	C	D	E	F
JXSS2-315	200 x 300 x 150	150 x 250	300	200	150	128	250	150
JXSS3-315	300 x 300 x 150	250 x 250	300	300	150	128	250	250
JXSS3-415	300 x 400 x 150	250 x 350	400	300	150	128	350	250
JXSS3-420	300 x 400 x 200	250 x 350	400	300	200	178	350	250
JXSS4-420	400 x 400 x 200	350 x 350	400	400	200	178	350	350
JXSS4-520	400 x 500 x 200	350 x 450	500	400	200	178	450	350
JXSS4-620	400 x 600 x 200	350 x 550	600	400	200	178	550	350
JXSS6-620	600 x 600 x 200	550 x 550	600	600	200	178	550	550
JXSS6-820	600 x 800 x 200	550 x 750	600	600	300	178	550	550
JXSS5-725	500 x 700 x 250	450 x 650	700	500	250	378	650	450
JXSS6-630	600 x 600 x 300	550 x 550	800	600	200	228	750	550
JXSS6-830	600 x 800 x 300	550 x 750	800	600	300	178	750	550
JXSS8-830	800 x 800 x 300	750 x 750	800	800	300	278	750	550
JXSS8-1030	800 x 1000 x 300	750 x 950	1000	800	300	278	950	750
JXSS8-1230	800 x 1200 x 300	750 x 1150	1200	800	300	278	1150	750
JXSS8-1240	800 x 1200 x 400	750 x 1150	1200	1200	400	378	1150	750
JXSS12-1240	1200 x 1200 x 400	1150 x 1150	1200	800	400	378	1150	1150
JXSS8-1440	800 x 1400 x 400	750 x 1350	1400	800	400	378	1350	750

JX type floor standing cabinet



JXHE type floor standing cabinet is supplied without side panels designed for housing the protection and control low-voltage devices, for electrical distribution in the industrial sectors.

Standard configuration

Paint finish epoxy polyester powder coating textured finish
Color: RAL7032 RAL7035 RAL2000

Profile: 9-fold profile

Material: cold rolling steel

Thickness: Front Door: 2.0mm, Rear panel: 1.5mm,

Mounting Plate: 2.0mm zinc coated steel or RAL2000 color.

4 rings and lifting eyebolts

Protection degree IP55

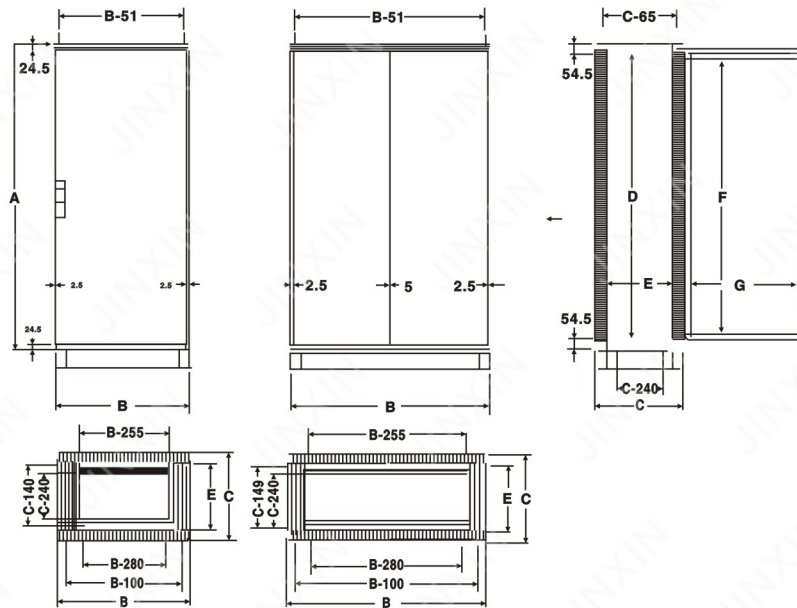
Impact resistance: IK 10

Part Number	No. of Doors	Dimensions (w x h x d)
JXHE-601860	1	600 x 1800 x 600
JXHE-801840	1	800 x 1800 x 400
JXHE-801850	1	800 x 1800 x 500
JXHE-801860	1	800 x 1800 x 600
JXHE-101840	1/2	1000 x 1800 x 400
JXHE-101850	1/2	1000 x 1800 x 500
JXHE-101860	1/2	1000 x 1800 x 600
JXHE-602040	1	600 x 2000 x 400
JXHE-602050	1	600 x 2000 x 500
JXHE-602060	1	600 x 2000 x 600
JXHE-802040	1	800 x 2000 x 400
JXHE-802050	1	800 x 2000 x 500
JXHE-802060	1	800 x 2000 x 600
JXHE-102040	1/2	1000 x 2000 x 400
JXHE-102050	1/2	1000 x 2000 x 500
JXHE-102060	1/2	1000 x 2000 x 600
JXHE-121840	2	1200 x 1800 x 400
JXHE-121850	2	1200 x 1800 x 500
JXHE-121860	2	1200 x 1800 x 600
JXHE-122040	2	1200 x 2000 x 400
JXHE-122050	2	1200 x 2000 x 500
JXHE-122060	2	1200 x 2000 x 600
JXHE-122080	2	1200 x 2000 x 800
JXHE-102080	1/2	1000 x 2000 x 800

More size can be request by customized

Note: Un- Assembled type /knock-down type is available
(70% save in sea freight) Packed in 5 or 6 cartons.

JX type floor standing cabinet



JX type steel wall mount enclosure



Supply include:

Enclosure and door, mounting plate, lock system, cable gland plate, sealing gasket and fixing accessories.

CAT.NO.	DIMENSIONS(mm)			THICKNESS(mm)	
	H	W	D	DOOR	BODY
JXSH3-320	300	300	200	1.2	1.2
JXSH3-420	400	300	200	1.2	1.2
JXSH4-520	500	400	200	1.2	1.2
JXSH4-525	500	400	250	1.2	1.2
JXSH4-530	500	400	300	1.2	1.2
JXSH4-620	600	400	200	1.2	1.2
JXSH5-620	600	500	200	1.2	1.2
JXSH5-625	600	500	250	1.2	1.2
JXSH5-720	700	500	200	1.2	1.2
JXSH5-725	700	500	250	1.2	1.2
JXSH6-820	800	600	200	1.5	1.5
JXSH6-825	800	600	250	1.5	1.5
JXSH6-830	800	600	300	1.5	1.5
JXSH8-820	800	800	200	1.5	1.5
JXSH8-825	800	800	250	1.5	1.5
JXSH8-830	800	800	300	1.5	1.5
JXSH6-1030	1000	600	300	1.5	1.5

More size can be request by customized



JXSR

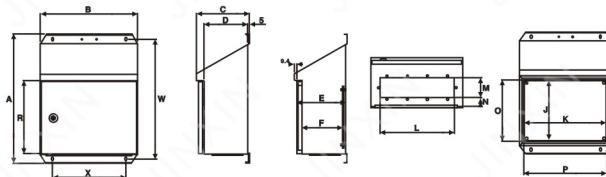
Incline SR Features

Self cleaning 30°C sloping roof, designed prevent solids from buliding up on the metal surface

- Mounting flanges top and bottom for easy mounting during installation
- Materials
 - Body-304/316 stainless steel
 - Body thickness-1.5mm
 - Gasket-polyurethane

Protection rating-IP66

Typical installations are in industries as diverse as mine sites and sugar mills, with applications including local control stations, mini control consoles or motor isolation stations.



JX type MCB/MCCB box

JXMC series MCCB Distribution box are specially designs for MCCBs.

Material: sheet steel 1.2mm/1.0mm

Surface finish: epoxy polyester powder coating textured finish



JX SP SINGLE DOOR QVE SERIES MCB Distribution box are specially designs for MCBs..

Application: Suitable for Residential, commercial & Industrial use

Color :Regal color

Range: 4, 6, 8, 12 WAY

Compact DBs

which occupy minimum space Raised neutral link for easy wiring
To prevent congestion of wires because of connected wire in the breakers

Suitable for surface & flush mounting
for easy assembly of breakers

Supplied with fully shielded bus-bars

Prevent accidental touching of bus bar

for providing indication for fitment in wall

Supplied with neutral & earth link, top & bottom detachable plates

Ease for installing and wiring the breakers

JX type MCB box



JXDB type metal distribution boxes have wide range of application for mounting in buildings under construction or new communal objects, offices, shops, house facilities. Inside the box, could be mounted circuit elements for protection in the electrical installation.

Material: High quality cold-roll steel

Modules: 30; 36; 45; 60; 72

Steel thickness: 12mm

Rated voltage In (A): 100A

Mounting type: Surface

Colour of body&door: RAL7032/7035

IP code: IP40

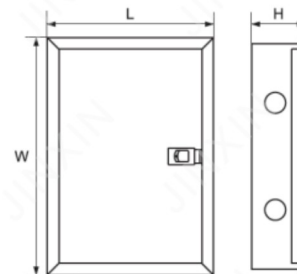
Fire resistance: 960°C/30s

Humidity: Max.95%

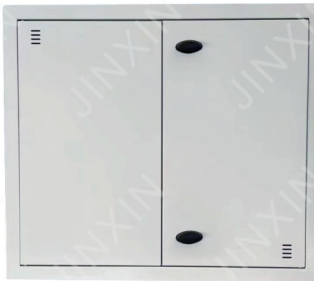
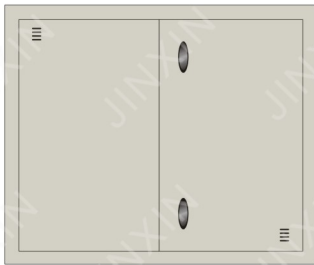
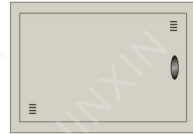
Storage temperature: -40+75°C

Size chart:

Model	NO of ROWS	NO of WAYS	Dimensions (mm)		
			L	W	H
JXDB-30	2	30	428	428	110
JXDB-36	2	36	482	428	110
JXDB-45	3	45	428	578	110
JXDB-60	4	60	428	728	110
JXDB-72	4	72	482	728	110



JX Communication Box

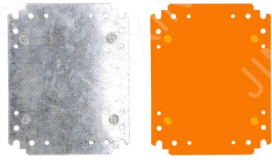


TV BOX: also called as Network Communication Box or Network Termination box.

Metal box for stuffing, thinner and overlapping walls, distribution of internal user network, which allows free choice in services cable TV, internet and telephony.

- The Box, cover, doors and mounting plate made of sheet steels, with electrostatic paint micro textured polyester color RAL7032.
- Box with walls without shearing, in order to have greater versatility in location of inlet and outlet ducts.
- Cover and independent door which facilitates its installation
- Detachable doors. On Models PAU MEC-50608, PAU MEC-60508, access to the box is through two doors with what is makes it easy to open in tight places. The door is perforations in corner as ventilation holes.
- Locks made of self-extinguishing thermoplastic at 960 ° C with metallic bolts, simple operated type.
- Mounting plate fixed to the bottom of the box by means of bolts, which allows it to be removed, facilitating the installation of the components.
- Grounding in Box, cover, doors and mounting plate, with M6 bolt, include: two tails and zinc nuts.

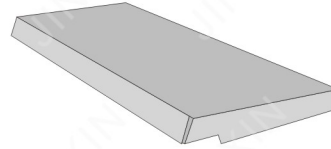
JX Accessories



MOUNTING PLATES

Material: sheet steel (RAL2000) or galvanized steel.

ROOF

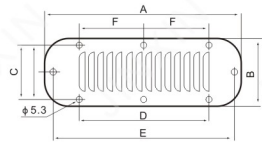


CANOPIES

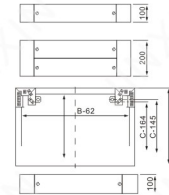
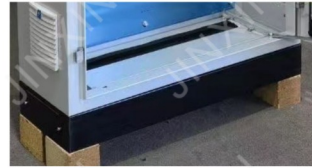
RAL 7035 / 7032 Grey UV tolerant polyester powdercoat Slopes front to back



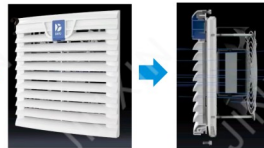
LOUVER PLATE



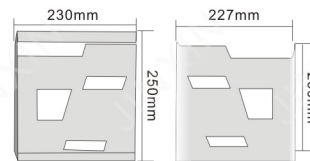
PLINTH



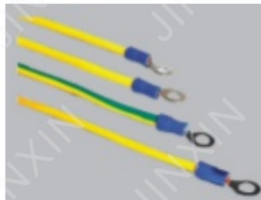
FILTER



PLAN POCKET



EARTH WIRES



WIRE-DUCTS



JX Accessories



JXLK-1



JXLK-2



JXLK-3



JXLK-4



JXLK-5



JXLK-6



JXLK-7



JXLK-8



JXLK-9



JXLK-10

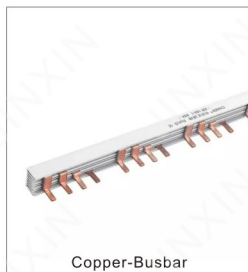


JXLK-11



Hinges

JXLK-12



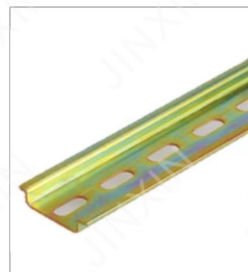
Copper-Busbar

JXLK-13

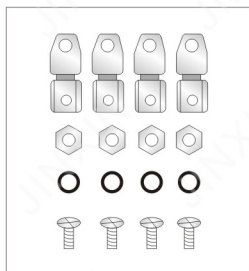


Pan assembly busbar

JXLK-14



JXLK-15



JXLK-16



JXLK-17



JXLK-18



JXLK-19



JXLK-20

**Let's build
something great
together!**

WENZHOU JINXIN ELECTRICAL CO.,LTD

📍 No400 Liu Weng Road,LiuShi Town,YueQing,ZheJiang,P.R.China 325604

☎ 0086-0577-62723129 61733255

✉ jinxin @jxele.com

🌐 www.jxele.com
www.jxele.en.alibaba.com
www.gabinete-metalico.com

